

SWSL1223RT

Scissors Aerial Work Platform

SUNWARD



Dual extension decks



Auto-leveling outriggers



Maintenance lock



Drawer type Engine bracket

FEATURES

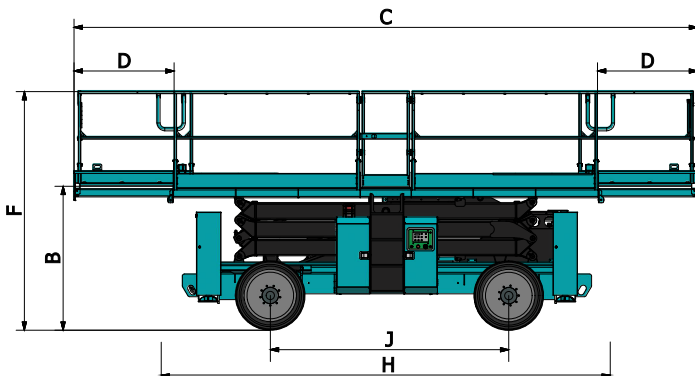
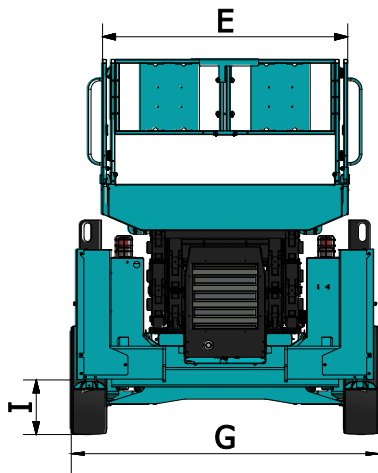
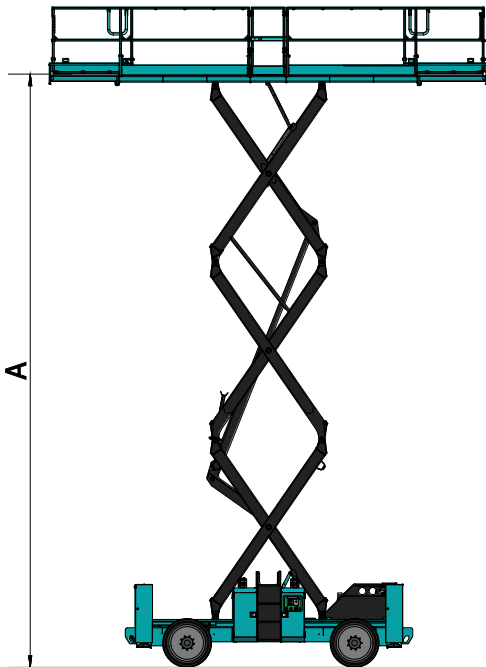
| | | | | |
|------------------|-----------------------------|-------------------------------------|-------------------------|-----------------------------|
| ◆Alarm | ◆Drawer type Engine bracket | ◆Proportional control | ◆Fault diagnosis system | ◆Platform interlock door |
| ◆Motion alarm | ◆Maintenance lock | ◆Dual extension decks | ◆Tilt protection system | ◆Overload protection system |
| ◆Flashing beacon | ◆Quad-Trax 4WD | ◆Fold-down guardrails | ◆Emergency stop system | ◆Auto-leveling outriggers |
| ◆Hour meter | ◆Automatic braking system | ◆Tubing explosion protection system | ◆Emergency down system | ◆Solid tires |

OPTIONS

| | | | | |
|-----------------------|----------------------|------------------------|-----------------|-----------------------|
| ◆Hydraulic alternator | ◆Extra toolbox | ◆Platform folding seat | ◆Non-mark tires | ◆Hydraulic oil cooler |
| ◆Fire extinguisher | ◆Platform work light | ◆AC power to platform | | |

SWSL1223RT

Scissors Aerial Work Platform



| DIMENSION | | |
|--------------------------------|-------------------------|--------------|
| Working height | 40'0"(12.2m) | |
| A Platform height | 33'5"(10.2m) | |
| B Platform height (stowed) | 5'7"(1.72m) | |
| C | Platform length | 17'6"(5.33m) |
| | Roll-out deck | 24'8"(7.53m) |
| D | Roll-out deck length | 3'11"(1.2m) |
| E | Platform width | 6'3"(1.9m) |
| F | Height(Fence raise) | 9'5"(2.88m) |
| | Height(Fence folded) | 6'8"(2.05m) |
| G | Width | 7'10"(2.39m) |
| H | Length | 17'5"(5.33m) |
| I | Ground Clearance | 11"(0.27m) |
| J | Wheelbase | 9'5"(2.88m) |
| PERFORMANCE | | |
| Capacity | 2650lbs(1200kg) | |
| Roll-out deck capacity | 500lbs(227kg) | |
| Max. occupants | 5 | |
| Drive height | All | |
| Travel speed (stowed) | 6.25mph(10km/h) | |
| Travel speed (raised) | attached table | |
| Max. Allowable Working Angle | attached table | |
| Turning radius(inside/outside) | 6'10"/17'5"(2.08m/5.3m) | |
| Raise/Lower Time | 46/46sec | |
| Gradeability | 40% | |
| Control system | Proportional | |
| Drive system | 4X4 | |
| Tires | 33X12-20 | |
| Power source | Kubota V2403-M-DI | |
| Horsepower | 49hp(36.5 kw)/2600rpm | |
| Hydraulic Tank Capacity | 40gal(151L) | |
| Fuel Tank Capacity | 25gal(95L) | |
| Weight | 17365lbs(7870kg) | |

Addendum

| Elevated Angle Rating & Drive Speed | | | | |
|-------------------------------------|-------------|----------------|--------------|----------------|
| Platform Height | 13'0" (4m) | 20'0" (6m) | 26'0" (8m) | 33'0" (10m) |
| Rated Tilt Angle side-to-side | 8° | 6° | 5° | 4° |
| Rated Tilt Angle fore-to-aft | 10° | 8° | 6° | 5° |
| Max. Elevated Drive Speed | 3mph(5km/h) | 2.5mph (4km/h) | 2mph (3km/h) | 1.5mph (2km/h) |

SUNWARD

SUNWARD INTELLIGENT EQUIPMENT CO.,LTD.

Add: Sunward Industrial Park, No. 1335 Liangtang Road (E), Xingsha, Changsha, Hunan, China
Tel: +86 731 8640 7779 E-mail: marketing@sunward.cc Web: www.sunward.com.cn