

INNOVATION LEADS TO VALUE



SWE155FW THE KING OF URBAN CONSTRUCTION

◆ Total weight:14.7~15.4t

◆ Engine power:115kW/2200rpm

◆ Bucket capacity:0.6 m³



◆ New Look

Totally new look of the series F is rigid with elegance.

◆ High-Level Configuration, Excellent Performance

Powerful configurations are provided, including a well-known superpower engine of EU stage V, a high-duty main pump, main valves with large flow, swing motors and travel motors of high torque. With the front and rear axle, and reducers of internationally-known brands, the gear-shifting for travelling is smooth.

The engine matches with the hydraulic system perfectly, as the use of electronically controlled positive flow system and SUNWARD self-developed 3rd generation control technology. Thus, the maneuverability and working efficiency is dramatically improved.

◆ Safe Durable Structure

The five supports of work equipment are forged parts, improving the section of swing platform by 13%; the stability is greatly increased with the high strength trapezoid undercarriage.

◆ Comfortable Operation, Easy Maintenance

The cab of new generation consists of upgraded interior trim, upgraded electrical parts and upgraded seat; besides, easy maintenance is offered with the use of a direct flow air filter.

TECHNICAL PARAMETERS



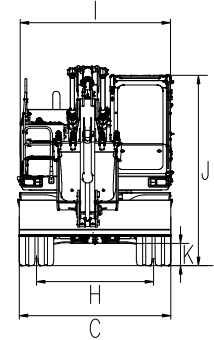
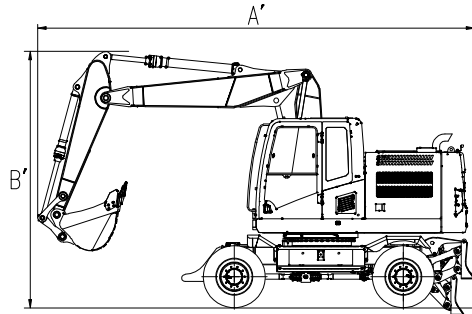
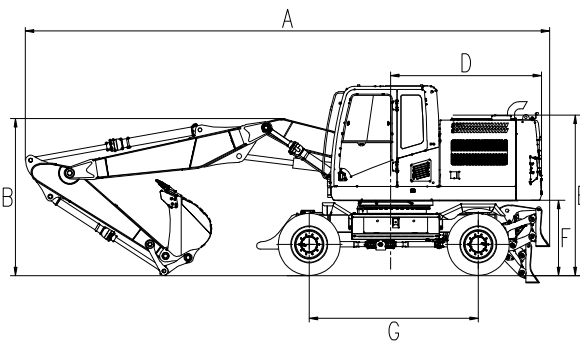
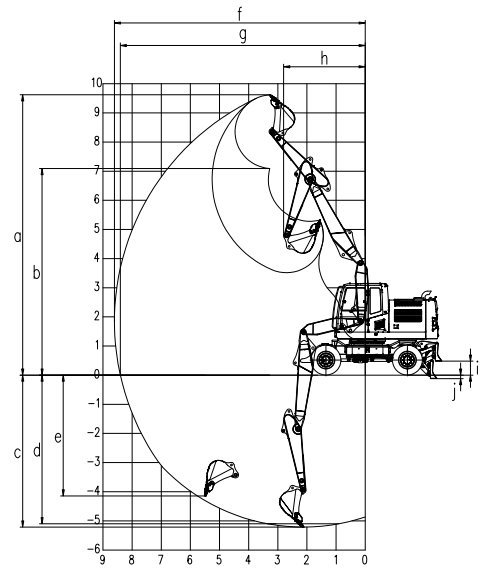
SWE155FW

Parameters of Base Machine

Specification		
Operating Weight	t	14.7-15.4
Bucket Capacity	m ³	0.6
Engine		
Brand		CUMMINS
Model		QSF3.8
Type		four-stroke water-cooled supercharged
Power	kW/rpm	115/2200
Max. Torque	N·m/rpm	620/1600
Emission	L	3.8
Hydraulic System		
Type of Main Pump		2×Variable Displacement Piston Pump
Max. Flow of Main Pump	L/min	360
System Pressure	Mpa	31.4/34.3
Type of Pilot Pump		1×Gear Pump
Max. Flow of Pilot Pump		22
Pilot Pressure	Mpa	3.9
Performance		
Swing Speed	rpm	12
Travel Speed	km/h	32
Gradeability	°	30
Suspension Angle of Front Axle	°	7
Ground Pressure	kPa	496.8
Capacity of Oil Tank		
Capacity of Fuel Tank	L	320
Capacity of Hydraulic Tank	L	185

Working Range and Digging Force

a	Max. Digging Height	mm	9623
b	Max. Dumping Height	mm	7090
c	Max. Digging Depth	mm	5211
d	Digging Depth(2.44m horizontal)	mm	5099
e	Max. Vertical Digging Depth	mm	4144
f	Max. Digging Reach	mm	8608
g	Max. Digging Reach at Ground Level	mm	8404
h	Min. Front End Swing Radius	mm	2800
i	Max. Lifting Height of Dozer Blade	mm	482
j	Max. Digging Depth of Dozer Blade	mm	119
	Bucket Digging Force	kN	100.3
	Arm Digging Force	kN	84.1



Dimension

	Boom Length	mm	2010+3340	E	Height of Machine Hood	mm	2659
	Arm Length	mm	2100	F	Counterweight Ground Clearance	mm	1248
A	Overall Length(Transport)	mm	8585	G	Wheel Base	mm	2800
A'	Overall Length(Travel)	mm	7144	H	Track	mm	1942
B	Height of Work Equipment(Transport)	mm	2604	I	Turntable Width	mm	2487
B'	Height of Work Equipment(Travel)	mm	4250	J	Cab Height	mm	3152
C	Overall Width	mm	2513	K	Min. Ground Clearance	mm	367
D	Tail Swing Radius	mm	2400				

★ The above parameters may be different due to product upgrading.

SUNWARD INTELLIGENT EQUIPMENT CO.,LTD.

Add: Sunward Industrial Park, No. 1335 Liangtang Road (E), Xingsha, Changsha, Hunan, China
E-mail: international@sunward.cc Web: <http://global.sunward.com.cn/>

